



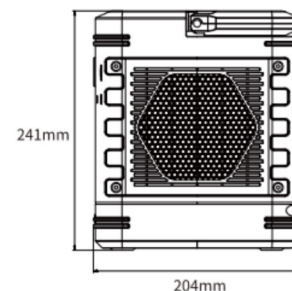
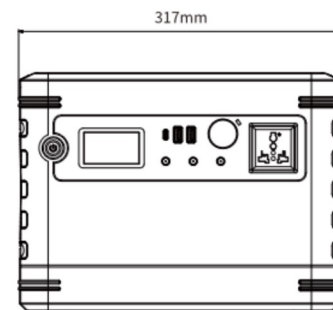
## GR-1100G

**SOLAR-STORAGE  
SOLAR-GENERATOR  
POWER STATION  
BACKUP BATTERY**

<b>Model</b>	<b>GR-1100G 1.1kWh</b>
<b>Storage Capacity</b>	<b>80Ah / 12.8V</b>
<b>Standard Capacity</b>	<b>1024Wh</b>
<b>USB Output</b>	<b>2 output 5V/2A, 9V/2A</b>
<b>DC Output</b>	<b>3 output 12V/2A</b>
<b>Car Charger Output</b>	<b>12V/10A</b>
<b>Type-C Output</b>	<b>5V/2A , 9V/2A, 12V/2A</b>
<b>Charging Voltage</b>	<b>14.6-20V</b>
<b>Cut-Off</b>	<b>2.5V single cell</b>
<b>AC Output Power</b>	<b>220V/1.1KW</b>
<b>AC Output Frequency</b>	<b>50Hz; Pure sine wave</b>
<b>Depth of Discharge</b>	<b>&gt;80%</b>
<b>Self Discharge (25°C)</b>	<b>&lt;3%/month</b>
<b>Working Temperature Range</b>	<b>-20°C to 70°C</b>
<b>Recommended Temperature Range</b>	<b>10°C to 45°C</b>
<b>Warranty</b>	<b>2 years</b>
<b>Product Size</b>	<b>317 x 241 x 204mm</b>
<b>Net Weight</b>	<b>13kg</b>

GR-1100G solar system can be charged by using solar panels or from AC grid (220V) using compatible lithium charger, to store electricity.

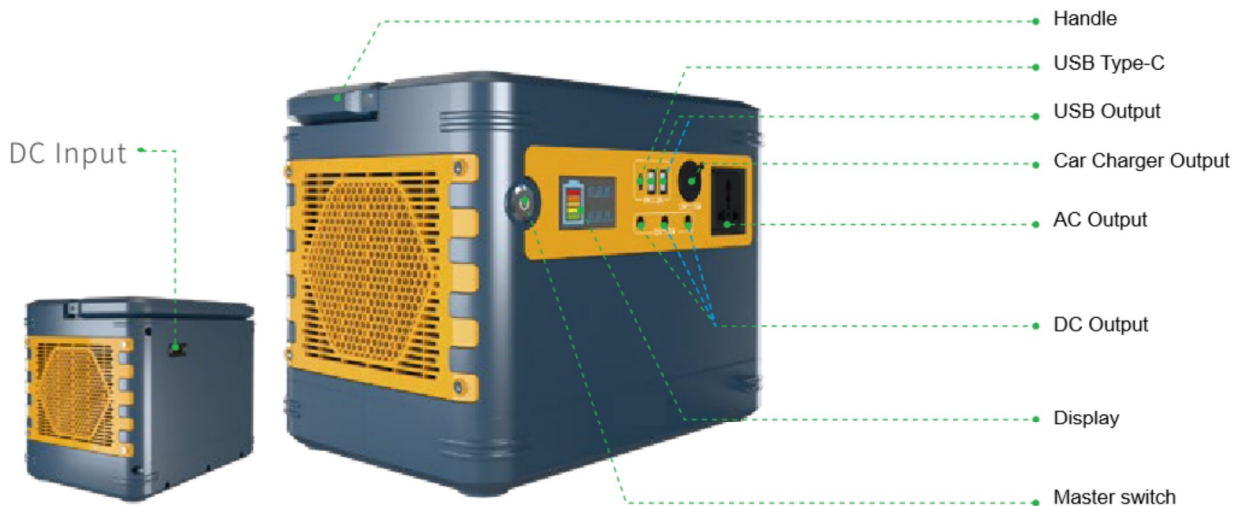
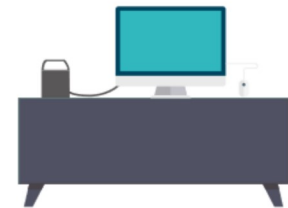
The built-in inverter can directly supply the power to electric appliances. It is one comprehensive storage system integrating generation, storage and usage. Unlike traditional generators GR-1100G solar system doesn't need maintenance, fuel and it's noiseless. Easy to install, simple design and it can be applied for family, business, industry, aquaculture, planting, field work, camping ect...



## ADVANTAGES

- Integrated design, Solar storage and easy installation.
- Dust-proof system with built-in inverter, can directly supply electricity for electric appliances and achieve a full change of energy supply.
- Lithium iron phosphate battery, the discharge depth reaches 95%. Under the discharge ratio of less than 0.5C, by proper use service life is up to 15 years with high safety factor.
- No maintenance, no fuel consumption, no noise, flexible charging mode, saving money, reducing carbon emissions, energy saving and environmental protection.
- Compact appearance design, small size, with folding handle, portable, convenient and easy to store.
- High quality aluminium magnesium alloy, anti-corrosion durable, artistic and practical
- Integrated packaging, safe and convenient to transport.

## INSTRUCTIONS





**1024WH**  
Large Capacity



**Type-C**  
Output



**USB**  
Output



**220V**  
AC Output



**Car Charger**  
Output



**DC**  
Output

## Appliances that can be connected



Sports Watch  
3.7V/400mAh  
691 Times



Mobile Phone  
11Wh  
93 Times



Pad  
30Wh  
34 Times



Notebook Computer  
65Wh;100W  
15 Times;10.2 H



All-in-one Computer  
150W  
6.8 H



UAVs  
60-70Wh  
14-17 Times



A Digital Camera  
16Wh  
64 Times



Printer  
400W  
2.5 H



Projector  
150W-180W  
5.6-6.8 H



Bluetooth Speakers  
60W  
17 H



Fan  
50-60W  
17-20 H



Refrigerator  
150W  
6.8 H



LED Lights  
5-10W  
102-204 H



Washing Machine  
380W  
2.6 H



Coffee Machine  
150W-180W  
5.6-6.8 H



Juicer  
150W  
6.8 H



50-inch TV Set  
50-110W  
9.3-20.4 H



Car Freezer  
60W  
17 H



Electric Blanket  
80-150W  
6.8-12.8



Household Atomizer  
20W  
51 H



Respirator  
40W  
25 H



Rechargeable Flashlight  
3.7V/5000mAh  
55 Times

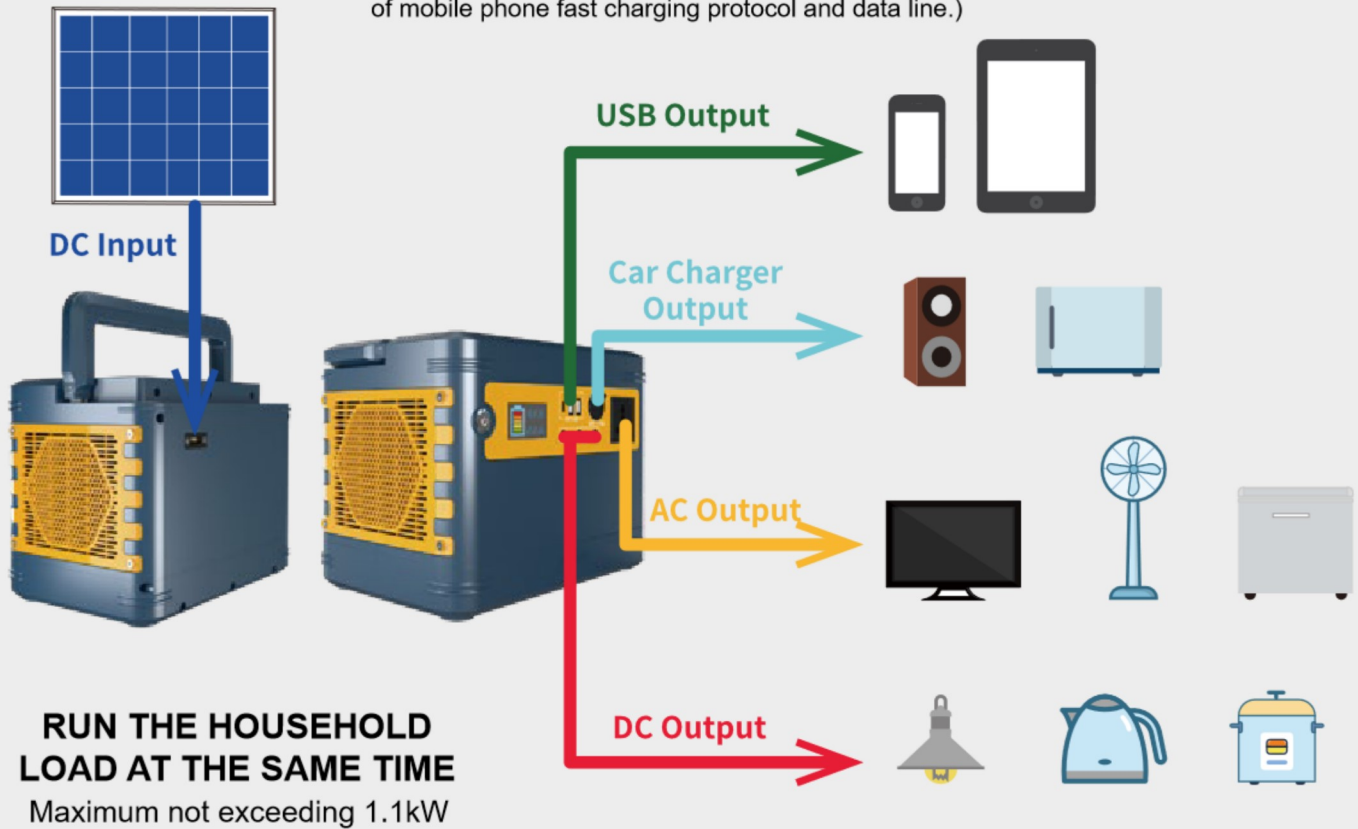
1. The above data comes from our lab, and the test data will float up and down due to different factors, such as environment, usage methods and equipment specifications, etc. This test data is for reference only.

2. Electric appliances can be operated at the same time with a maximum load of not more than 1.5KW.

3. The limited current on the product is not suitable for inductive load, and the instantaneous start current of inductive load is 3-7 times of normal operation.

When type-C and left USB are used at the same time, the output is 5V 2A

(The specific output voltage and current need the support of mobile phone fast charging protocol and data line.)



## APPLICATION PLACES





## APPLICATION PLACES

